

### Contents

Product Description, Lens Specs, Notes and Formulas	Pg 1
Diagrams & Distance Charts	Pg 2
Cabinet Dimensions	Pg 3-4
Ceiling Mount Dimensions	Pg 5
Input Panel and Control Codes	Pg 6



### Product Description

<b>Type:</b>	3 panel LCD Projector	<b>Dimensions:</b>	13.4" (W) x 4.2" (H) x 10.3" (D)
	0.59" DMD	<b>Weight:</b>	6.4 lbs
<b>Resolution:</b>	1280 x 800		
<b>Fan Noise:</b>	6530WB: 35dB / 29dB @ 1 meter	<b>Brightness:</b>	6530WB: 3000 Lumens
	6533WB: 36dB / 29dB @ 1 meter		6533WB: 3300 Lumens
	6536WB: 36dB / 29dB @ 1 meter		6536WB: 3600 Lumens
	6540WB: 37dB / 29dB @ 1 meter		6540WB: 4000 Lumens
<b>Power Consumption:</b>	6530WB: 286W (max)	<b>BTU's:</b>	6530WB: 976 BTU/hour
	6533WB: 309W (max)		6533WB: 1054 BTU/hour
	6536WB: 309W (max)		6536WB: 1054 BTU/hour
	6540WB: 316W (max)		6540WB: 1078 BTU/hour

### Lens Specifications

Throw Ratio:	1.3 – 2.2:1 (for 100" diagonal)	Focal Length:	17.5mm – 29.0mm
Offset Angle:	6.6° - 10.9° (for 100" diagonal)	F/#:	1.7 - 2.1
Screen Sizes:	30" - 300" diagonal (4:3)		Manual Focus/Manual Zoom

### Notes

- For screen sizes not indicated on the projection tables, use the formulas below. If the figures on the tables do not match the results of formulas, use the figures in the table.
- All calculations are based on a 4:3 aspect ratio.
- Distances are in inches, for millimeters multiply by 25.4.
- Distances may vary  $\pm 5\%$ .

### Formulas

The Projection Formulas use the image width for calculation. For proper projection placement, determine the image width for the desired screen size. Use the Screen Formulas below to calculate all screen dimensions. Plug in the width for "W" in the Projection Formulas.

Refer to the diagrams and charts for popular screen sizes on page 2:

#### Definitions:

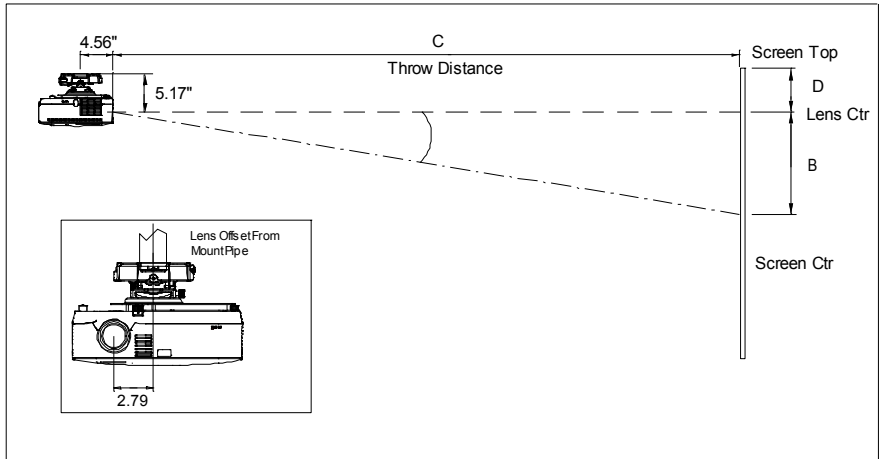
- W = Image Width
- H = Image Height (size)
- B = Vertical distance between lens center and screen center
- C = Throw distance
- D = Vertical distance between lens center and screen top  
(screen bottom for desktop application)

### Diagrams and Distance Charts

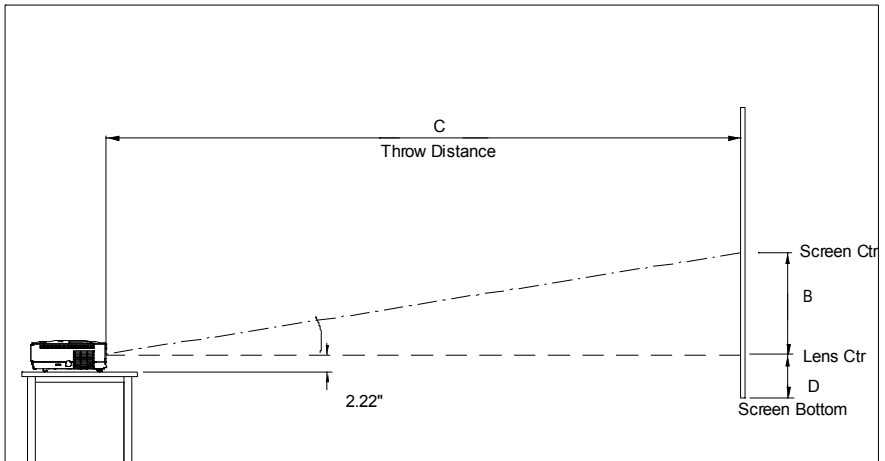
The following shows the proper relative positions of the projector and screen. Refer to the table to determine the position of installation.

Distances are in inches. For millimeters multiply by 25.4.

#### Ceiling Mounted



#### Desktop



### Distance Chart for popular 16:10 screens

#### 4:3 Screen Formulas:

$$W = \text{Image Width} = H \times 10/10$$

$$H = \text{Image Height} = W \times 10/16$$

$$\text{Screen Diagonal} = W \times 18.868/16$$

#### Projection Formulas:

$$B = 0.2578W$$

$$C (\text{wide}) = 1.361W - 1.68$$

$$C (\text{tele}) = 2.26W - 1.68$$

$$D = -0.055W$$

$$\alpha (\text{wide}) = \tan^{-1} (B/C(\text{wide}))$$

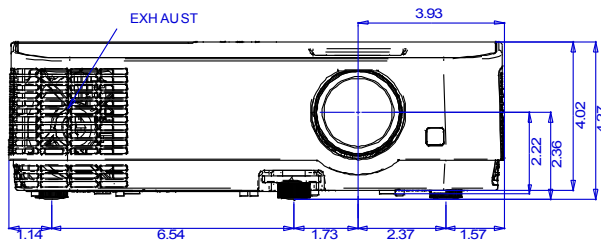
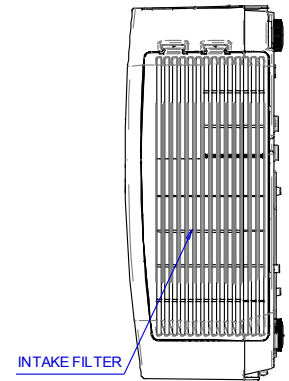
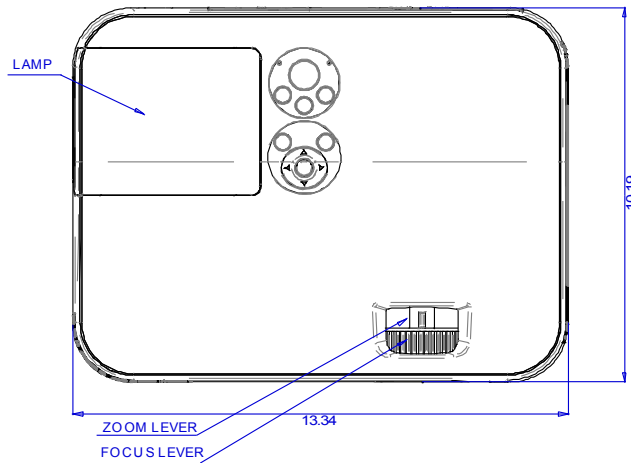
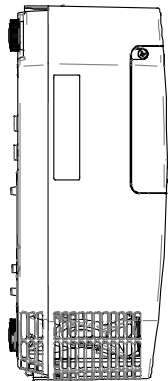
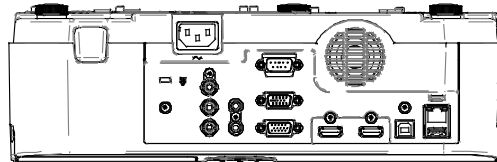
$$\alpha (\text{tele}) = \tan^{-1} (B/C(\text{tele}))$$

**Note:** For screen sizes not indicated on the projection tables, use the formulas on page 1.

Screen Size (16:10)			B inches	C		D inches	$\alpha$	
Diagonal inches	Width(W) inches	Height (H) inches		wide - tele inches	tele inches		wide - tele degrees	tele degrees
57	48	30	12	64	107	-6	11.0	6.6
66	56	35	14	75	125	-7	10.9	6.6
68	58	36	15	77	129	-7	10.9	6.6
75	64	40	16	86	143	-7	10.9	6.6
79	67	42	17	90	151	-8	10.9	6.6
85	72	45	19	97	162	-8	10.9	6.6
92	78	49	20	105	176	-9	10.9	6.5
98	83	52	21	112	187	-10	10.9	6.5
102	86	54	22	116	194	-10	10.8	6.5
111	94	59	24	127	212	-11	10.8	6.5
113	96	60	25	129	216	-11	10.8	6.5
123	104	65	27	140	234	-12	10.8	6.5
125	106	66	27	142	238	-12	10.8	6.5
147	125	78	32	169	281	-15	10.8	6.5
149	126	79	33	170	284	-7	10.8	6.5
213	181	113	47	244	407	-10	10.8	6.5
255	216	135	56	292	486	-12	10.8	6.5

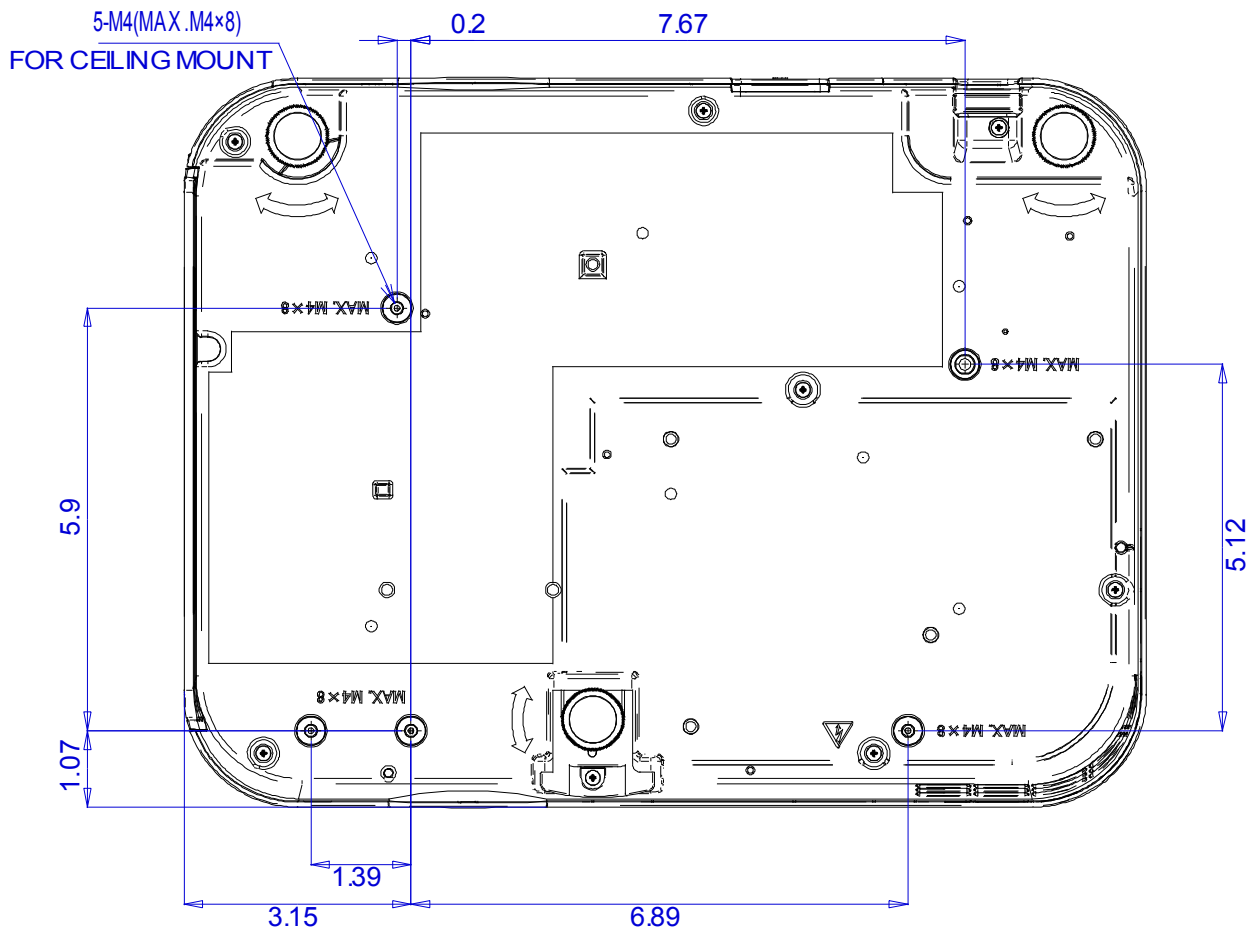
### Cabinet Dimensions

The following drawings show the cabinet dimensions.  
Dimensions are in inches. For millimeters multiply by 25.4.



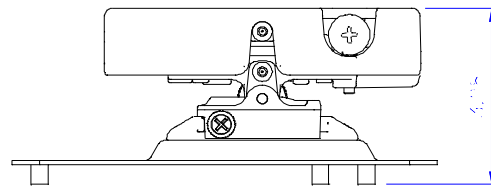
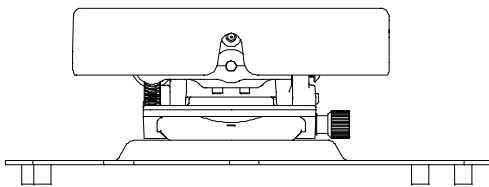
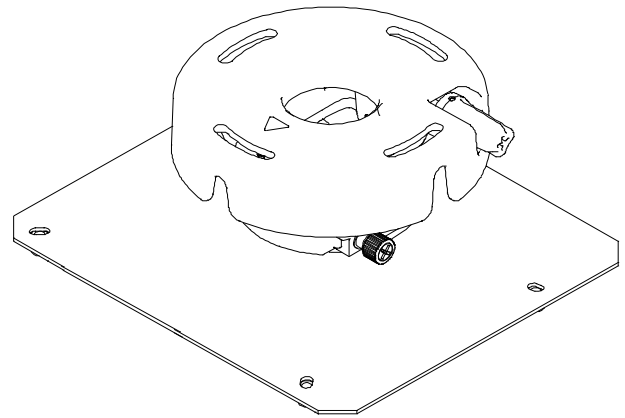
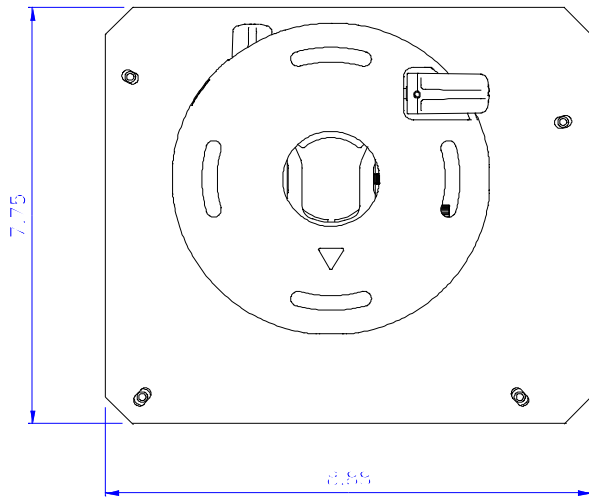
### Cabinet Dimensions (continued)

The following drawings show the cabinet dimensions.  
Dimensions are in inches. For millimeters multiply by 25.4.



### Optional Ceiling Mount (Model #: MP300CM) or Dukane RPG-UNV universal mount.

The following drawings show the ceiling mount dimensions.  
Dimensions are in inches. For millimeters multiply by 25.4.



### Input / Output Panel



### PC Control Codes

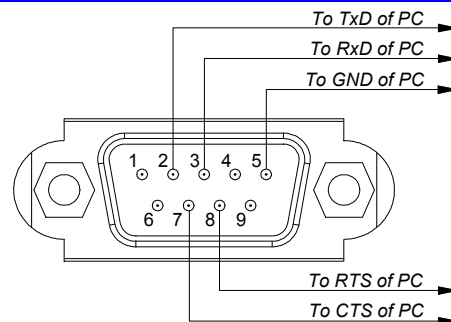
Function	Code Data
POWER ON	02H 00H 00H 00H 00H 02H
POWER OFF	02H 01H 00H 00H 00H 03H
INPUT SELECT COMPUTER1	02H 03H 00H 00H 02H 01H 01H 09H
INPUT SELECT HDMI 1	02H 03H 00H 00H 02H 01H 1AH 22H
INPUT SELECT HDMI 2	02H 03H 00H 00H 02H 01H 1BH 23H
INPUT SELECT VIDEO	02H 03H 00H 00H 02H 01H 06H 0EH
INPUT SELECT VIEWER (USB-A)	02H 03H 00H 00H 02H 01H 1FH 27H
INPUT SELECT NETWORK	02H 03H 00H 00H 02H 01H 20H 28H
INPUT SELECT USB DISPLAY (USB-B)	02H 03H 00H 00H 02H 01H 22H 2AH
PICTURE MUTE ON	02H 10H 00H 00H 00H 12H
PICTURE MUTE OFF	02H 11H 00H 00H 00H 13H
SOUND MUTE ON	02H 12H 00H 00H 00H 14H
SOUND MUTE OFF	02H 13H 00H 00H 00H 15H
PROJECTOR INFORMATION REQUEST	00H BFH 00H 00H 01H 02H C2H
ERROR STATUS REQUEST	00H 88H 00H 00H 00H 88H
INFORMATION REQUEST	03H 8AH 00H 00H 00H 8DH

**Note:** Contact your rep for codes not listed.

### Cable Connection

#### Communication Protocol:

Baud Rate: 38400 bps  
 Data Length: 8 bits  
 Parity: No Parity  
 Stop Bit: One Bit  
 X on/off: None  
 Communications: Full duplex



#### PC Control Connector (D-Sub 9P)

**NOTE 1 :** Pins 1, 4, 6, and 9 are used inside the projector.

**NOTE 2 :** For long cable runs it is recommended to set communication speed within the projector to 9600 bps.

**NOTE 3 :** Jumper "Request to Send" and "Clear to Send" together on both ends of the cable to simplify cable connection.