

# DVP510B Quick Start Guide

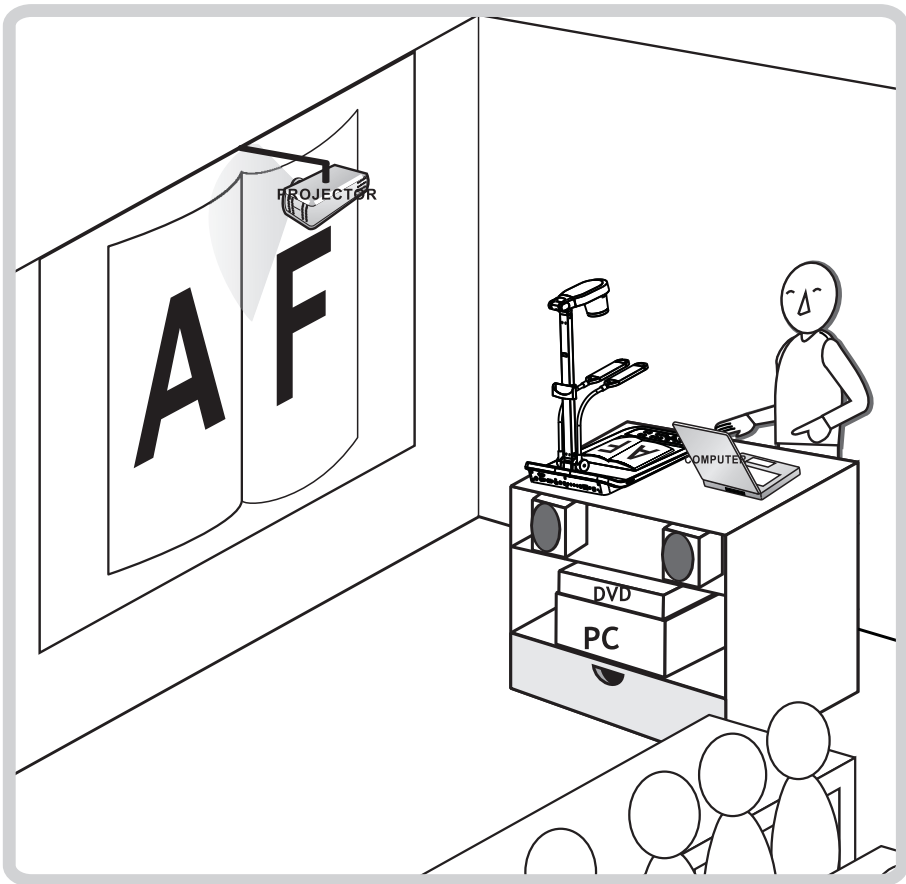


## ⚠ Important

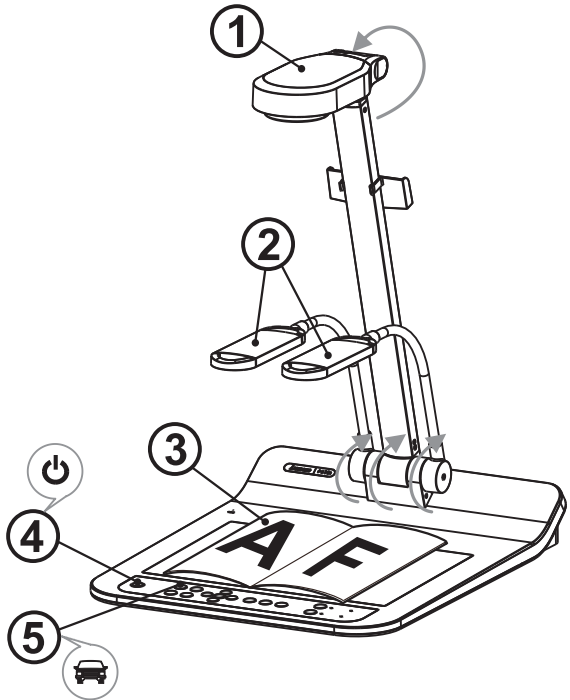
\* Please activate your warranty at [www.dukane.com/lav](http://www.dukane.com/lav).

Please visit [www.dukane.com/lav](http://www.dukane.com/lav) to download the latest manuals, software, and the Quick Start guide. .

Also use the Dukane software B-Works 2.



## 1. Getting Started

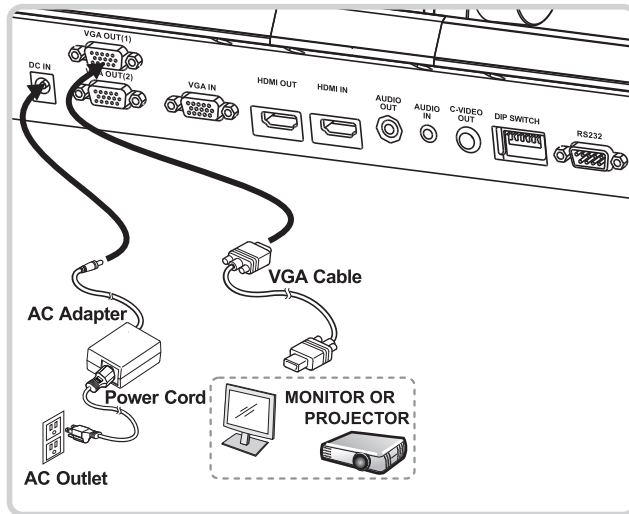


- ① Pull up the camera and the camera arm. The camera should aim at the center of the presenter.
- ② Pull up the lamp arm and adjust it to appropriate position.
- ③ Place an object to be displayed under the camera.
- ④ Turn the power on.
- ⑤ Press the [ AUTO TUNE ] button to optimize the image. You are ready to teach / present.

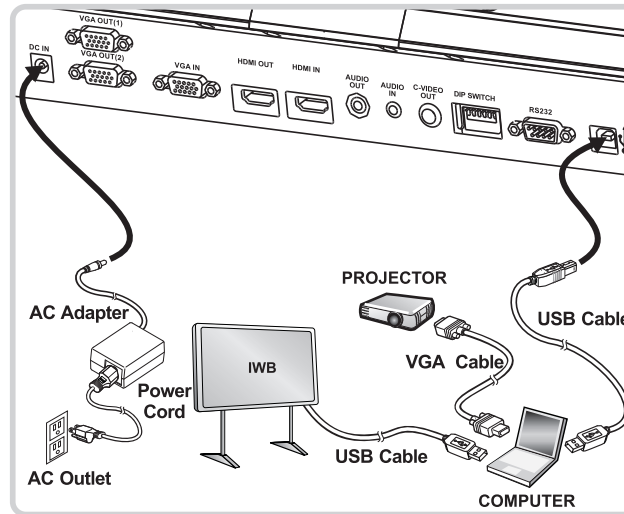
\* According to your request, you can adjust the camera head slightly to aim at the center of the documents when the anchor of lens was reached.

## 2. Installation & Connection

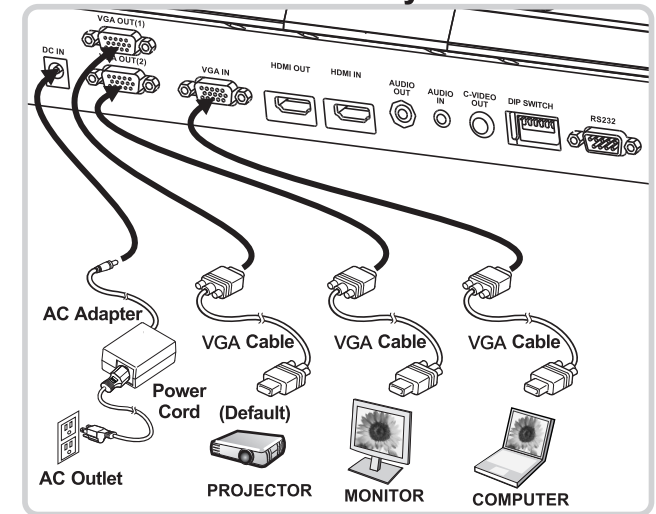
### ▼ Connect to a Projector or Monitor



### ▼ Connect to a Computer and Use Dukane software or Connect to an Interactive Whiteboard (IWB).

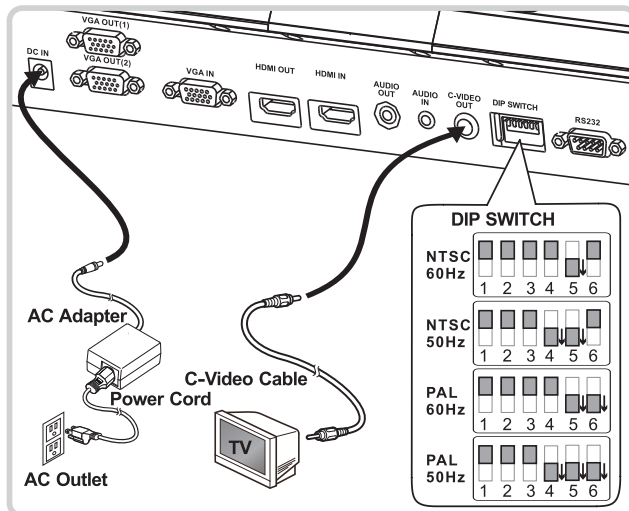


### ▼ Connect a Projector, Computer and Monitor simultaneously

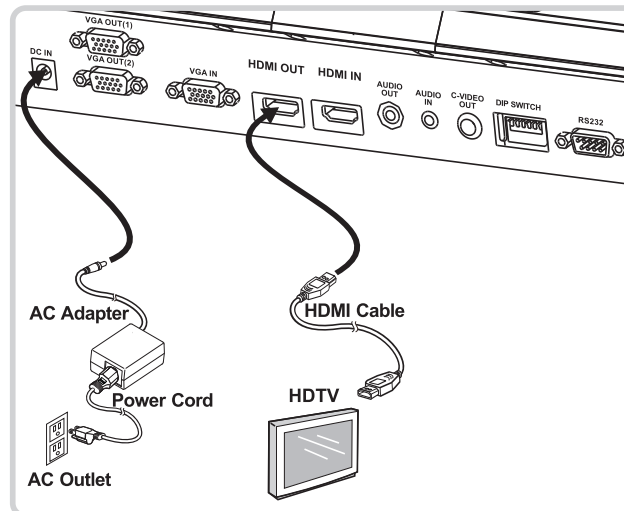


Dukane software can be downloaded from the Dukane website.

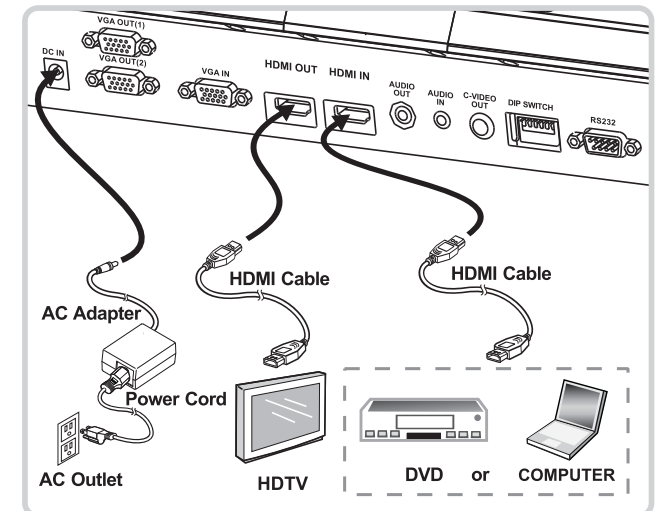
### ▼ Connect to a TV



### ▼ Connect to an HDTV



### ▼ Connect to a Computer or DVD



\* NTSC: USA, CANADA, MEXICO, PANAMA, CHILE, JAPAN, TAIWAN, KOREA AND PHILIPPINES.

\* PAL: Country / region not listed above.

\* After the unit is re-started, new DIP switch configuration is effective. Once C-Video is on, VGA is not supported.