

User's Manual (concise)

Thank you for purchasing this product.

This is the basic manual on the product.

Visit our website to get the detailed manuals and the latest information on the product. Check them before using the product, for safe use and utilization of the product.



Our website: <http://www.dukaneav.com>

⚠ WARNING ▶ Before using this product, be sure to read all manuals for this product. After reading them, store them in a safe place for future reference.

- ▶ Heed all the warnings and cautions in the manuals or on the product.
- ▶ Follow all the instructions in the manuals or on the product.

NOTE • In this manual, unless any comments are accompanied, “the manuals” means all the documents provided with this product, and “the product” means this projector and all the accessories came with the projector.

Contents

			
First of all	2	Connecting to a power supply	11
Entries and graphical symbols explanation	2	Fastening the cable	11
Important safety instruction	2	Turning on the power	12
Regulatory notices	3	Adjusting the projector's elevator	13
About Electro-Magnetic Interference	3	Displaying the picture	14
Disposal of Old Equipment and Batteries		Turning off the power	15
Only for European Union and countries with		Cleaning and replacing the air filter ..	16
recycling systems	5	Replacing the internal clock battery..	17
Contents of package	5	Specifications	18
Preparing for the remote control	6	Troubleshooting	
Arrangement	7	- Warranty and after-service	19
Connecting with your devices	9		
Fastening the adapter cover	10		

First of all

Entries and graphical symbols explanation

The following entries and graphical symbols are used for the manuals and the product as follows, for safety purpose. Please know their meanings beforehand, and heed them.

⚠WARNING This entry warns of a risk of serious personal injury or even death.

⚠CAUTION This entry warns of a risk of personal injury or physical damage.

NOTICE This entry notices of fear of causing trouble.

Important safety instruction

The following are important instructions for safely using the product. Be sure to follow them always when handling the product. The manufacturer assumes no responsibility for any damage caused by mishandling that is beyond normal usage defined in these manuals of this projector.

⚠WARNING ▶ Never use the product in or after an abnormality (ex. giving off smoke, smelling strange, took a liquid or an object inside, broken, etc.) If an abnormality should occur, unplug the projector urgently.

▶ Situate the product away from children and pets.

▶ Keep small parts away from children and pets. If swallowed, consult a physician immediately for emergency treatment.

▶ Do not use the product when there is fear of a thunderbolt.

▶ Unplug the projector from the power outlet if the projector is not used for the time being.

▶ Do not open or remove any portion of the product, unless the manuals direct it. For internal maintenance, leave it to your dealer or their service personnel.

▶ Use only the accessories specified or recommended by the manufacturer.

▶ Do not modify the projector or accessories.

▶ Do not let any things or any liquids enter to the inside of the product.

▶ Do not wet the product.

▶ Do not place the projector where any oils, such as cooking or machine oil, are used. Oil may harm the product, resulting in malfunction, or falling from the mounted position. Do not use adhesive such as threadlocker, lubricant and so on.

▶ Do not apply a shock or pressure to this product.

- Do not place the product on an unstable place such as the uneven surface or the leaned table.

- Do not place the product unstably. Place the projector so that it does not protrude from the surface where the projector is placed on.

- Remove all the attachments including the power cord and cables, from the projector when carrying the projector.

▶ Do not look into the lens and the openings on the projector, while the light source is on, since the projection ray may cause a trouble on your eyes.

▶ Do not approach the exhaust vents, while the light source is on. Also after the light source goes out, do not approach them for a while, since too hot.

Regulatory notices

About Electro-Magnetic Interference

In CANADA

CAN ICES-3(B) / NMB-3(B).

In the US, and other places where the FCC regulations are applicable

Declaration of Conformity

Trade name	HITACHI / U	E
Model Number	LP-EU5002 /	USS
Responsible Party	Hitachi America, Ltd.	
Address	2420 Fenton Street, Suite 200 Chula Vista, CA 91914 U.S.A.	
Telephone Number	+1 -800-448-2244	

This device complies with part 15 of the FCC Rules. Operation is subject to the following two conditions: (1) This device may not cause harmful interference, and (2) this device must accept any interference received, including interference that may cause undesired operation. This equipment has been tested and found to comply with the limits for a Class B digital device, pursuant to Part 15 of the FCC Rules.

These limits are designed to provide reasonable protection against harmful interference in a residential installation. This equipment generates, uses, and can radiate radio frequency energy and, if not installed and used in accordance with the instructions, may cause harmful interference to radio communications. However, there is no guarantee that interference will not occur in a particular installation. If this equipment does cause harmful interference to radio or television reception, which can be determined by turning the equipment off and on, the user is encouraged to try to correct the interference by one or more of the following measures:

- Reorient or relocate the receiving antenna.
- Increase the separation between the equipment and receiver.
- Connect the equipment into an outlet on a circuit different from that to which the receiver is connected.
- Consult the dealer or an experienced radio/TV technician for help.

INSTRUCTIONS TO USERS: This equipment complies with the requirements of FCC (Federal Communication Commission) equipment provided that the following conditions are met. Some cables have to be used with the core set. Use the accessory cable or a designated-type cable for the connection. For cables that have a core only at one end, connect the core to the projector.

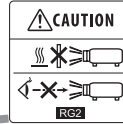
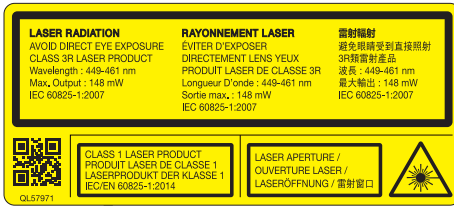
CAUTION: Changes or modifications not expressly approved by the party responsible for compliance could void the user's authority to operate the equipment.

Note: The Dukane model described in this document is manufactured by Hitachi and uses the same firmware, software programs, control code, and accessory parts. The equivalent Dukane to Hitachi models are 8950WSS (LP-EW5002) and 8950WUSS (LP-EU5002).

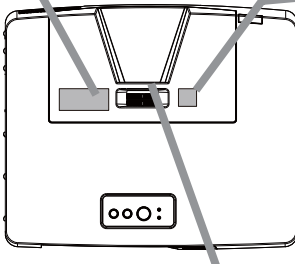
Regulatory notices (continued)

Product label

The position of the label is shown in the drawing below.



As with any bright source, do not stare into the direct beam, RG2 IEC 62471-5:2015.



Laser Aperture

Laser evaluation standard:
IEC60825-1: 2007, IEC60825-1: 2014,
EN60825-1: 2014

Internal Laser Specifications
Max. Output: 95W
Wave Length: 449 - 461nm

- This projector is classified as a class 1 laser product that complies with IEC60825-1:2014 and JIS C 6802:2014, and as a class 3R laser product that complies with IEC60825-1:2007. Improper handling may cause injury. Be careful of the following.
- If an abnormality occurs in the projector, turn it off immediately, unplug the power cord from the outlet, and consult your dealer or service company. If you continue to use it, it may cause not only electric shock or fire but also vision disorder.
- Do not disassemble or modify the projector. The projector has a high-power laser device inside. It may cause serious injury.
- Do not look into the beam while projecting an image. Do not look into the lens through optical devices such as magnifiers or telescopes. It may cause vision disorder.
- Make sure that nobody is looking into the lens when you turn on the projector by remote control away from the projector.
- Do not let children operate the projector. If children could possibly operate the projector, they must be accompanied by an adult.
- Do not expose optical devices such as magnifiers or reflection mirrors to a projected image. It may cause bad effects on the human body if you continue to use it. It may also cause fire or accidents.
- Do not disassemble the projector when you dispose of it. Dispose of it according to laws and regulations of each country or region.

⚠ CAUTION ► Use of controls or adjustments or performance of procedures other than those specified herein may result in hazardous radiation exposure.

Disposal of Old Equipment and Batteries Only for European Union and countries with recycling systems



The above mark is in compliance with the Waste Electrical and Electronic Equipment Directive 2012/19/EU (WEEE). The mark indicates the requirement NOT to dispose the equipment including any spent or discarded batteries as unsorted municipal waste, but use the return and collection systems available. If the batteries or accumulators included with this equipment display the chemical symbol Hg, Cd, or Pb, then it means that the battery has a heavy metal content of more than 0.0005% Mercury, or more than 0.002% Cadmium or more than 0.004% Lead.




Note for the battery symbol (bottom symbol): This symbol might be used in combination with a chemical symbol. In this case it complies with the requirement set by the Directive for the chemical involved.

Contents of package

Your projector should come with the items shown below. Check that all the items are included. Contact your dealer immediately if any items are missing.

Refer to figure **F-8** at the back of this manual.

- | | |
|--|------------------------------|
| (1) Remote control with two AA batteries | (8) Hook metal |
| (2) Power cord | (9) Screw |
| (3) Computer cable | (10) HDMI cable holder (x3) |
| (4) Su o hee * | (11) Cable tie - large (x1) |
| (5) Security label | (12) Cable tie - medium (x3) |
| (6) Lens cover | (13) Cable tie - small (x1) |
| (7) Adapter cover | (14) Ferrite core |

* The accessory book "User's Manual (concise)" is a basic manual. Read the detailed manuals ("Operating Guide" etc.) from our website ( 1).

⚠ WARNING ► Keep small parts away from children and pets. Take care not to put in the mouth. If swallowed, consult a physician immediately for emergency treatment.

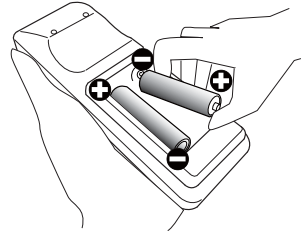
⚠ CAUTION ► If the disc comes with this product, use it in a computer disc drive. Never insert the disc into a non-computer disc drive. Inserting the disc into an incompatible disc drive may produce a loud noise and result in ear and speaker damage.

NOTE • Keep the original packing materials for future reshipment. Be sure to use the original packing materials when moving the projector. Use special caution for the lens.

Preparing for the remote control

Please insert the batteries into the remote control before using it. If the remote control starts to malfunction, try to replace the batteries. If you will not use the remote control for long period, remove the batteries from the remote control and store them in a safe place.

1. Remove the battery cover.
2. Align and insert the two AA batteries (Use the appropriate AA carbon-zinc or alkaline batteries (non-rechargeable) in accordance with laws and regulations.) according to their plus and minus terminals as indicated in the remote control.
3. Put the battery cover back to the former state.



- ⚠ WARNING ►** Always handle the batteries with care and use them only as directed. Improper use may result in battery explosion, cracking or leakage, which could result in fire, injury and/or pollution of the surrounding environment.
- When replacing the batteries, replace both of the batteries with new batteries of the same type. Do not use a new battery with a used battery.
 - Be sure to use only the batteries specified. Do not use batteries of different types at the same time. Do not mix a new battery with used one.
 - Make sure the plus and minus terminals are correctly aligned when loading a battery.
 - Keep a battery away from children and pets.
 - Do not recharge, short circuit, solder or disassemble a battery.
 - Do not place a battery in a fire or water. Keep batteries in a dark, cool and dry place.
 - If you observe battery leakage, wipe out the leakage and then replace a battery. If the leakage adheres to your body or clothes, rinse well with water immediately.
 - Obey the local laws on disposing the battery.

Arrangement

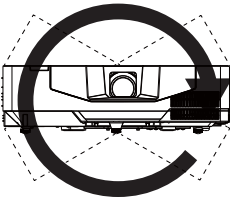
Refer to table **T-1** and figures **F-1** and **F-2** at the end of this manual to determine the screen size and projection distance. The values shown in the table are calculated for a full size screen.

- Ⓐ Screen size (diagonal)
- Ⓑ Projection distance ($\pm 10\%$, from the projector's end)
- Ⓒ¹, Ⓒ² Screen height ($\pm 10\%$)

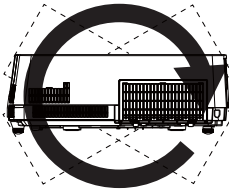
Installation position, picture mode, altitude, and operating environment may affect the brightness of the display.

This projector will perform in a free tilt angle, as shown in the figures below.

Horizontal 360°



Vertical 360°



Tilt 360°
(combination of
horizontal and vertical)



(continued on next page)

Arrangement (continued)

⚠WARNING ► Install the projector where you can access the power outlet easily.

► Install the projector in a stable horizontal position.

- Do not use any mounting accessories except the accessories specified by the manufacturer. Read and keep the manuals of the accessories used.
- For special installation such as ceiling mounting, be sure to consult your dealer beforehand. Specific mounting accessories and services may be required.
- Do not put the projector on its side, front or rear position. If the projector falls or is knocked over, it could cause injury and/or damage to the projector.
- Do not attach nor place anything on the projector unless otherwise specified in the manual.

► Do not install the projector near thermally conductive or flammable things.

► Do not place the projector where any oils, such as cooking or machine oil, are used.

► Do not place the projector in a place where it may get wet.

⚠CAUTION ► Place the projector in a cool place with sufficient ventilation.

- Keep a space of 50 cm or more between a side of the projector and other objects such as walls.
- Do not stop up, block nor cover the projector's vent holes.
- Do not place the projector at places that are exposed to magnetic fields, doing so can cause the cooling fans inside the projector to malfunction.
- When you use the projector with the air filter facing towards the ceiling, it is clogged more frequently. Clean the air filter periodically.
- Avoid placing the projector in smoky, humid or dusty place.
- Do not place the projector near humidifiers.

NOTICE ► Position the projector to prevent light from directly hitting the projector's remote sensor.

► Positional deviation or distortion of a projected image, or shift of the focus may occur due to ambient conditions, and so on. They tend to occur until the operation becomes stable, especially within about 30 minutes after the light source is turned on. Check and readjust them as necessary.

► Do not place the product in a place where radio interference may be caused. For details, see the "Operating Guide". (📖 1)

Connecting with your devices

Before connecting the projector to a device, consult the manual of the device to confirm that the device is suitable for connecting with this projector and prepare the required accessories, such as a cable in accord with the signal of the device. Consult your dealer when the required accessory did not come with the product or the accessory is damaged.

After making sure that the projector and the devices are turned off, perform the connection, according to the following instructions. Refer to figures **F-3** to **F-6** at the end of this manual. For details, see the "Operating Guide". (📖 1) Before connecting the projector to a network system, be sure to read "Network Guide". (📖 1)

⚠ WARNING ▶ Use only the appropriate accessories. Otherwise it could cause a fire or damage the projector and devices.

- Use only the accessories specified or recommended by the projector's manufacturer. It may be regulated under some standard.
- Neither disassemble nor modify the projector and the accessories.
- Do not use the damaged accessory. Be careful not to damage the accessories. Route a cable so that it is neither stepped on nor pinched out.

⚠ CAUTION ▶ For a cable with a core at only one end, connect the end with the core to the projector. That may be required by EMI regulations.

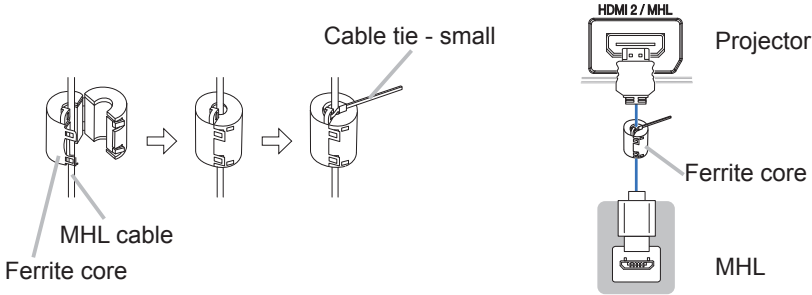
- ▶ Before connecting the projector to a network system be sure to obtain the consent of the administrator of the network.
- ▶ Do not connect the **LAN** port to any network that might have the excessive voltage.
- ▶ The designated USB wireless adapter that is sold as an option is required to use the wireless network function of this projector.
- ▶ Before removing the USB storage device from the port of the projector, be sure to use the REMOVE USB function on the thumbnail screen to secure your data. Before you insert or pull out the USB wireless adapter from the projector, turn off the power of the projector and pull out the power cord's plug from the outlet. Do not touch the USB wireless adapter while the projector is receiving AC power.

NOTE • Do not turn on or off the projector while connected to a device in operation, unless that is directed in the manual of the device.

- Some input ports are selectable in the use. For details, see the "Operating Guide". (📖 1)
- Be careful not to mistakenly connect a connector to a wrong port.
- If an oversized USB storage device blocks the **LAN** port, use a USB extension cable to connect the USB storage device.

Ferrite core for MHL cable

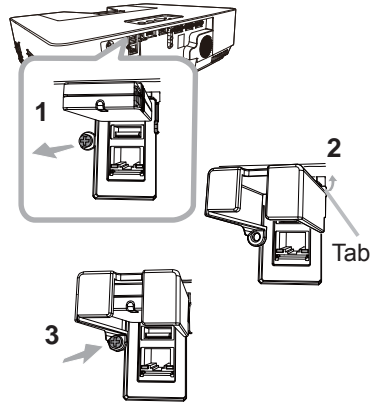
When connecting a MHL cable to this projector, attach the ferrite core that is supplied with the projector to the MHL cable. Refer to the following figure to attach the core to the cable nearby one end of the cable firmly, and secure it using the cable tie. Be sure to connect the end of the cable to the projector.



Fastening the adapter cover

Use the supplied adapter cover to prevent the USB wireless adapter (optional) from coming off easily and prevention from burn injury.

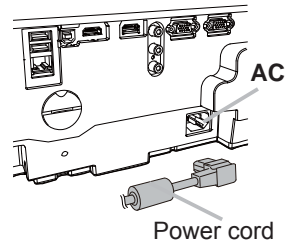
1. Loosen the screw on the bottom left of the **USB TYPE A** port.
2. Insert the tab of the cover into the hole at the upper right of the **USB TYPE A** port in the direction of the arrow.
3. Align the screw holes on the projector and the cover. Then insert the screw removed from the projector into the hole and tighten the screw.



⚠ WARNING ► Keep small parts away from children and pets. Take care not to put in the mouth. Heat may build up in the USB wireless adapter, so disconnect the projector power cord for more than 10 minutes before touching it to avoid possible burns.

Connecting to a power supply

1. Put the connector of the power cord into the **AC (AC inlet)** of the projector.
2. Firmly plug the power cord's plug into the outlet. In a couple of seconds after the power supply connection, the **POWER/STATUS1** indicator will light up in steady orange.



Please remember that when the DIRECT POWER ON function is activated, the connection of the power supply makes the projector turn on. When the AUTO POWER ON function is activated and the projector is receiving an input signal, it is turned on by connecting to the power supply.

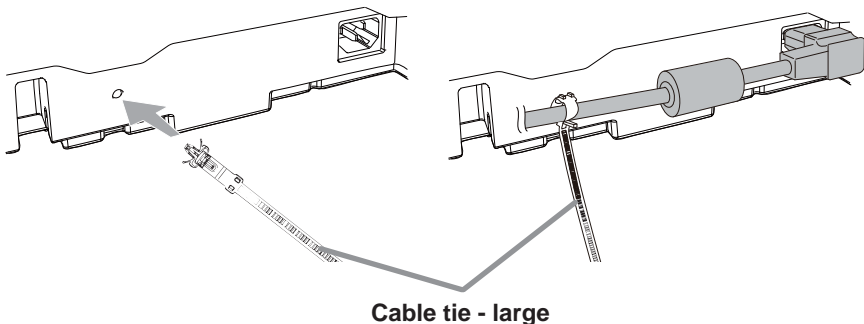
⚠ WARNING ► Please use extra caution when connecting the power cord, as incorrect or faulty connections may result in fire and/or electrical shock.

- Do not touch the power cord with a wet hand.
- Only use the power cord that came with the projector. If it is damaged, consult your dealer to get a new one. Never modify the power cord.
- Only plug the power cord into an outlet whose voltage is matched to the power cord. The power outlet should be close to the projector and easily accessible. Unplug the power cord for complete disconnection.
- Do not distribute the power supply to multiple devices. Doing so may overload the outlet and connectors, loosen the connection, or result in fire, electric shock or other accidents.
- Connect the ground terminal for the AC inlet of this unit to the ground terminal of the building using an appropriate power cord (bundled).

NOTICE ► This product is also designed for IT power systems with a phase-to-phase voltage of 220 to 240 V.

Fastening the cable

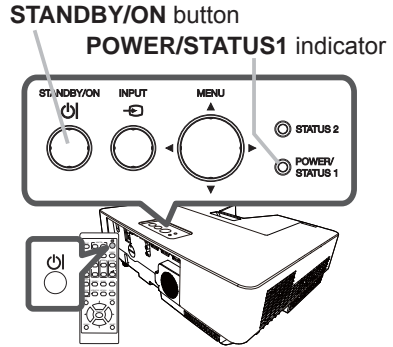
Use the supplied cable tie to fasten the cable.



Turning on the power

1. Make sure that the power cord is firmly and correctly connected to the projector and the outlet.
2. Make sure that the **POWER/STATUS1** indicator is steady orange. Then remove the lens cover.
3. Press the **STANDBY/ON** button on the projector or the remote control.

The projection light source will light up, and the **POWER/STATUS1** indicator will begin blinking in green. When the power is completely on, the indicator will stop blinking and light in steady green.



⚠ WARNING ► A strong light is emitted when the projector's power is on. Do not look into the lens of the projector or look inside of the projector through any of the projector's openings, since the projection ray may cause a trouble on your eyes.

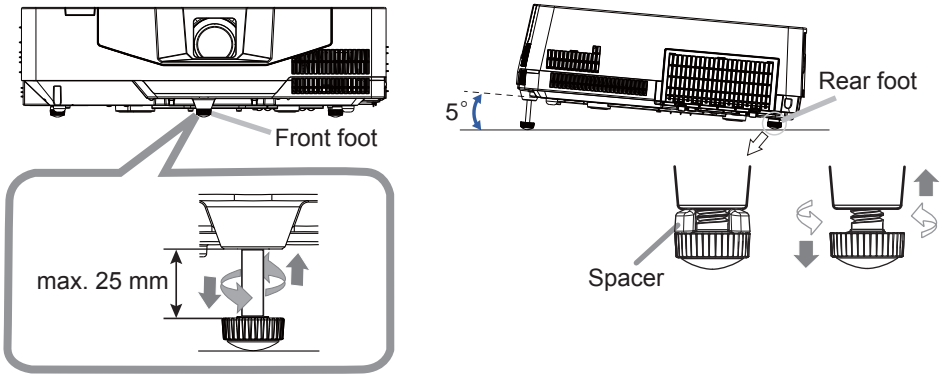
NOTE • Please power on the projector prior to the connected devices.

- The projector has the DIRECT POWER ON function, which can make the projector automatically turn on. For details, see the "Operating Guide". (📖 1)

Adjusting the projector's elevator

<Front Foot>

Lengthening or shortening the elevator foot shifts the projection position and the projection angle. Turn the elevator foot to adjust its length.



⚠ WARNING ► Do not lengthen the elevator foot over 25 mm. The foot lengthened exceeding the limit may come off and drop the projector down, and result in an injury or damaging the projector.

⚠ CAUTION ► Do not place the projector with an inclination exceeding 5 degrees. The projector leaned exceeding the limit could cause malfunction and shorten the life of the projector.

<Rear Foot>

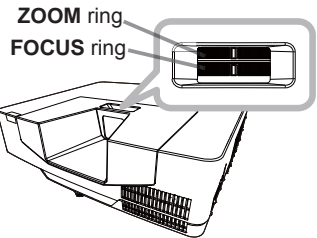
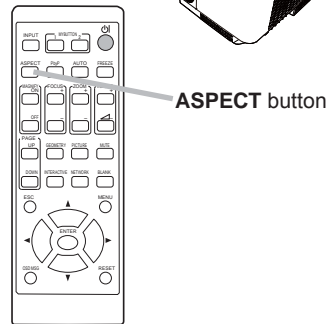
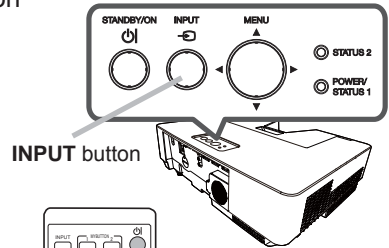
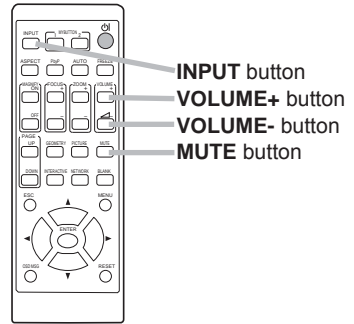
When the place to put the projector is slightly uneven to the left or right, use the Rear elevator foot to place the projector horizontally. A spacer is installed on the Rear elevator foot at the time of shipment, and the projector is ready for use. If necessary, detach the spacer, and the elevator foot can be manually twisted to make more precise adjustments.

⚠ WARNING ► Keep the spacer away from children and pets. Be careful not to let them swallow the spacer. If swallowed consult a physician immediately for emergency treatment.

NOTE • You can attach the spacers to set the projector back to the factory default after adjusting the foot. If you install the projector in a different place in the future, it is recommended to keep the spacers and reuse them.

Displaying the picture

1. Activate your signal source. Turn the signal source on, and make it send the signal to the projector.
2. Press **INPUT** button on the projector or the remote control. Select a desirable input referring to the displayed input list.
3. Use the **VOLUME + / VOLUME -** buttons to adjust the volume.
To turn off the sound, press the **MUTE** button on the remote control.
4. Press the **ASPECT** button on the remote control. Each time you press the button, the projector switches the mode for aspect ratio in turn.
5. Use the **ZOOM** ring to adjust the screen size.
6. Use the **FOCUS** ring to focus the picture.



⚠ WARNING ► If you wish to have a blank screen while the light source is on, use the **BLANK** function (see the Operating Guide).
Taking any other action may cause the damage on the projector.
Blocking the beam by something causes high temperature and could result in fire or smoke.

(continued on next page)

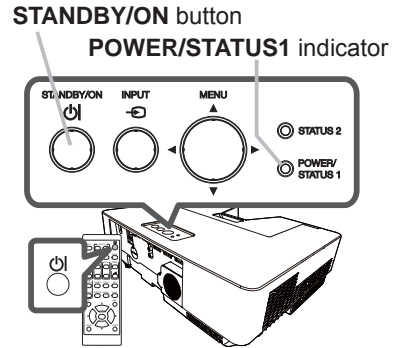
Displaying the picture (continued)

NOTE • The **ASPECT** button does not work when no proper signal is input.

- For details, see the "Operating Guide".
- There may be some noise and/or the screen may flicker for a moment when an operation is made. This is not a malfunction.

Turning off the power

1. Press the **STANDBY/ON** button on the projector or the remote control. The message "Power off?" will appear on the screen for about 5 seconds.
2. Press the **STANDBY/ON** button again while the message appears. The light source will go off, and the **POWER/STATUS1** indicator will begin blinking in orange. Then the **POWER/STATUS1** indicator will stop blinking and light in steady orange when the light source cooling is completed.
3. Attach the lens cover, after the **POWER/STATUS1** indicator turns in steady orange.



⚠ WARNING ► Do not touch around the exhaust vents during use or just after use, since it is too hot.

► Unplug the power cord for complete disconnection. The power outlet should be close to the projector and easily accessible.

NOTE • Please power off the projector after any connected devices are powered off.

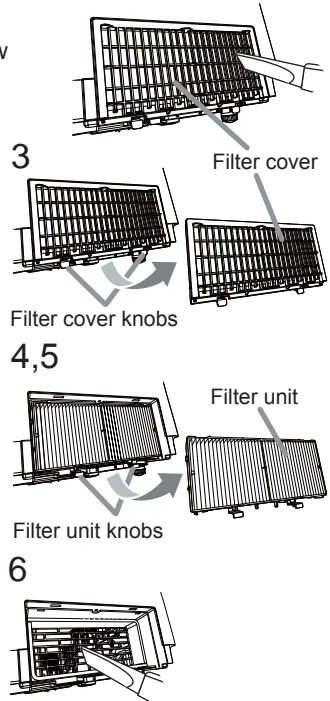
- This projector has the AUTO POWER OFF function that can make the projector turn off automatically. For more information, see the "Operating Guide".

Cleaning and replacing the air filter

Please check and clean the air filter periodically. When the indicators or a message prompts you to clean the air filter, comply with it as soon as possible. In addition, the extra air filter is attached to inner side of the filter cover. If one of the filters is damaged or heavily soiled, replace whole filter set with a new one. Request for a filter set with the following type number from your dealer when purchasing a new one.

Type number : UX43251 (Filter set)

1. Turn the projector off, and unplug the power cord. Allow the projector to sufficiently cool down.
2. Use a vacuum cleaner on and around the filter cover.
3. Pick and pull up the filter cover knobs to take it off.
4. Press up slightly the bottom side knobs to unlock the bottom side of the filter unit. Take the filter unit off.
5. Use a vacuum cleaner for the filter vent of the projector and the outer side of the filter unit.
6. Use a vacuum cleaner for the inner side of each part of the filter unit to clean them up. If the filters are damaged or heavily soiled, replace them with the new ones.
7. Put the filter unit back in an upright state into the projector.
8. Put the filter cover back into the place.
9. Turn the projector on and reset the filter time using the FILTER TIME item in the EASY MENU.
 - (1) Press the **MENU** button to display a menu.
 - (2) Point at the FILTER TIME using the **▼/▲** button, then press the **▶** button. A dialog will appear.
 - (3) Press the **▶** button to select "OK" on the dialog. It performs resetting the filter time.



⚠ WARNING ▶ Before taking care of the air filter, make sure the power cord is not plugged in, then allow the projector to cool sufficiently.

▶ Use only the air filter of the specified type. Do not use the projector without the air filter or the filter cover. It could result in a fire or malfunction to the projector.

▶ Clean the air filter periodically. If the air filter becomes clogged by dust or the like, internal temperatures rise and could cause a fire, a burn or malfunction to the projector.

NOTE • Please reset the filter time only when you have cleaned or replaced the air filter, for a suitable indication about the air filter.

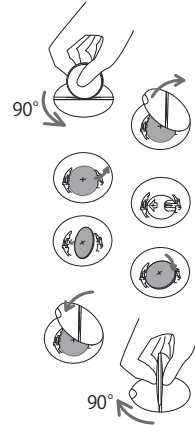
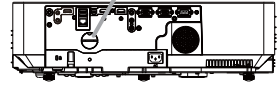
• The projector may display the message such as the "CHECK THE AIR FLOW" or turn off the projector, to prevent the internal heat level rising.

Replacing the internal clock battery

Installing the battery is required in some cases. (📖 "Event Scheduling" in the "Network Guide") A battery is not contained at the time of factory shipment. Please replace a battery according to the following procedure.

1. Turn the projector off, and unplug the power cord.
Allow the projector to cool sufficiently.
2. Turn the battery cover fully counterclockwise using a coin or the like, and pick the cover up to remove it.
3. Pry up the battery using a flathead screwdriver or the like to take it out. Do not use any metal tools. While prying it up, put a finger lightly on the battery since it may pop out of the holder.
4. Replace the battery with a new MAXELL, Part No. **CR2032** or **CR2032H**.
Slide the battery in under the plastic claw, and push it into the holder until it clicks.
5. Replace the battery cover in place, then turn it clockwise to fix by using a coin or the like.

Battery Cover



⚠ WARNING ► Always handle the batteries with care and use them only as directed. Battery may explode if mistreated. Do not recharge, disassemble or dispose of in fire.

And also improper use may result in cracking or leakage, which could result in fire, injury and/or pollution of the surrounding environment.

- Be sure to use only the specified batteries.
- Make sure the plus and minus terminals are correctly aligned when loading a battery.
- Keep a battery away from children and pets. If swallowed, consult a physician immediately for emergency treatment.
- Do not short circuit or solder a battery.
- Do not allow a battery in a fire or water. Keep batteries in a dark, cool and dry place.
- If you observe battery leakage, wipe out the leakage and then replace a battery. If the leakage adheres to your body or clothes, rinse well with water immediately.
- Obey the local laws on disposing a battery.

Specifications

Item	Specification
Product name	Liquid crystal projector
Liquid Crystal Panel	2,304,000 pixels (1920 horizontal x 1200 vertical)
Light Source	Laser Diode
Speaker	16 W mono
Power supply/ Rated current	AC 100-120 V: 3.8 A, AC 220-240 V: 1.9 A
Power consumption	AC 100-120 V: 370 W, AC 220-240 V: 360 W
Temperature range	0 ~ 40°C (Operating) 35 ~ 40°C (The brightness of the light source is reduced automatically.)
Size	512 (W) x 152 (H) x 424 (D) mm 506 (W) x 136 (H) x 424 (D) mm (Not including protruding parts.) Refer to figure F-7 at the back of this manual.
Weight (mass)	approx. 7.5 kg
Ports	COMPUTER IN1 D-sub 15 pin mini jack x1 COMPUTER IN2/MONITOR OUT D-sub 15 pin mini jack x1 HDMI1 HDMI connector x1 HDMI2/MHL HDMI/MHL connector x1 HDMI3 HDMI connector x1 VIDEO RCA jack x1 AUDIO IN1 3.5 mm (stereo) mini jack x1 AUDIO IN2 3.5 mm (stereo) mini jack x1 AUDIO IN3 (R, L) RCA jack x2 AUDIO OUT 3.5 mm (stereo) mini jack x1 USB TYPE A USB type A connector x2 USB TYPE B USB type B connector x1 CONTROL D-sub 9 pin plug x1 LAN RJ45 jack x1
Optional parts	Filter set: UX43251 USB wireless adapter: USB-WL-5G * For more information, please consult your dealer.

Troubleshooting - Warranty and after-service

If an abnormal operation (such as smoke, strange odor or excessive sound) should occur, stop using the projector immediately.

Otherwise if a problem occurs with the projector, first refer to “Troubleshooting” of “Operating Guide” and “Network Guide”, and run through the suggested checks. If this does not resolve the problem, please consult your dealer or service company. They will tell you what warranty condition is applied.

Check our website where you may find the latest information for this product. (📖 7)

NOTE • The information in this manual is subject to change without notice.

- The illustrations in this manual are for illustrative purposes. They may differ slightly from your projector.
- The manufacturer assumes no responsibility for any errors that may appear in this manual.
- The reproduction, transfer or copy of all or any part of this document is not permitted without express written consent.

Manufacturing year and month

The manufacturing year and month of this projector is indicated as follows in the serial number of the rating label on the projector.

Example:

F 8 C x 0 0 0 0 1

- └─ Manufacturing month: A = January, B = February, ... L = December.
- └─ Manufacturing year: 8 = 2018, 9 = 2019, 0 = 2020, ...

DUKANE CORP AV SERVICE DEPT

2900 Dukane Drive
 St Charles, IL 60174
 800-676-2487 / 630-762-4032
 Fax 630-584-5156
 avservice@dukane.com
 www.dukaneav.com

End User License Agreement for the Product Software

Software in the product consists of the plural number of independent software modules and there exist our copyright and/or third party copyrights for each of such software modules. The product also uses software modules that we have developed and/or produced. And there exist our copyright and intellectual property for each of such software and related items including but not limited to the software related documents.

These rights above are protected by copyright law and other applicable laws. And the product uses software modules licensed as Freeware upon GNU GENERAL PUBLIC LICENSE Version 2 and GNU LESSER GENERAL PUBLIC LICENSE Version 2.1 established by Free Software Foundation, Inc. (U.S.) or license agreements for each software.

Refer to the following web page for license agreements for such software modules and other software.

Our website: <http://www.dukaneav.com>

Contact dealer in your region for inquiry regarding licensed software. Refer to license agreements of each software on the web page for detail of the license conditions and so on. (The original in English is carried since the license agreement is established by third party other than us.)

Because the program (the software module) is licensed free of charge, the program is provided "as is" without warranty of any kind, either expressed or implied, to the extent permitted by applicable law. And we do not take any responsibility or compensate for loss of any kind (including but not limited to loss of data, loss of accuracy or loss of compatibility with interface between other programs) by the software concerned and/or use of the software concerned to the extent permitted by applicable law.

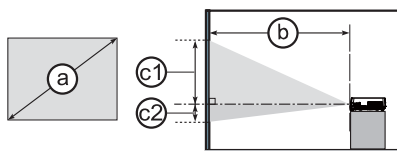
Trademark acknowledgment

- Microsoft[®], Internet Explorer[®] and Windows[®] are registered trademarks of Microsoft Corporation in the U.S. and/or other countries.
- HDMI, the HDMI logo and High-Definition Multimedia Interface are trademarks or registered trademarks of HDMI Licensing LLC in the United States and other countries.
- Blu-ray Disc[™] and Blu-ray[™] are trademarks of Blu-ray Disc Association.
- MHL[®], the MHL logo, and Mobile High-Definition Link are trademarks or registered trademarks of MHL, LLC in the United States and other countries.

All other trademarks are the properties of their respective owners.

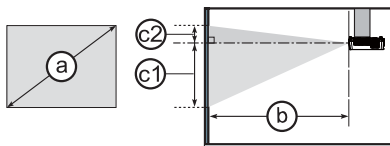
F-1

• On a horizontal surface



F-2

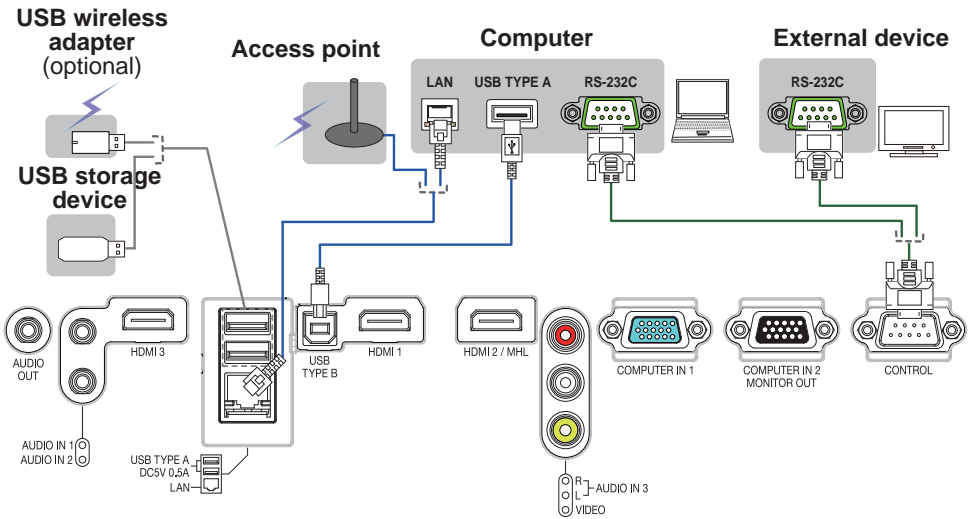
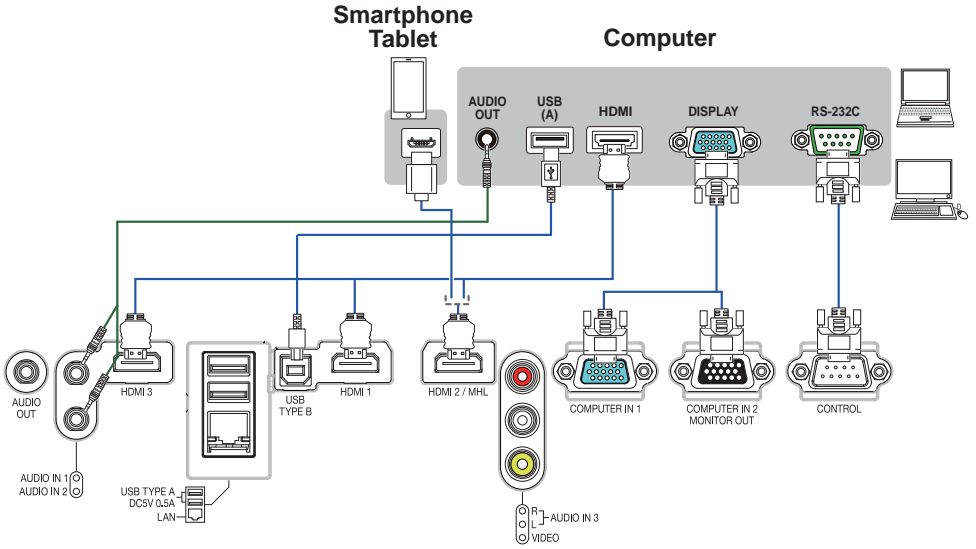
• Suspended from the ceiling



T-1 8950WUSS

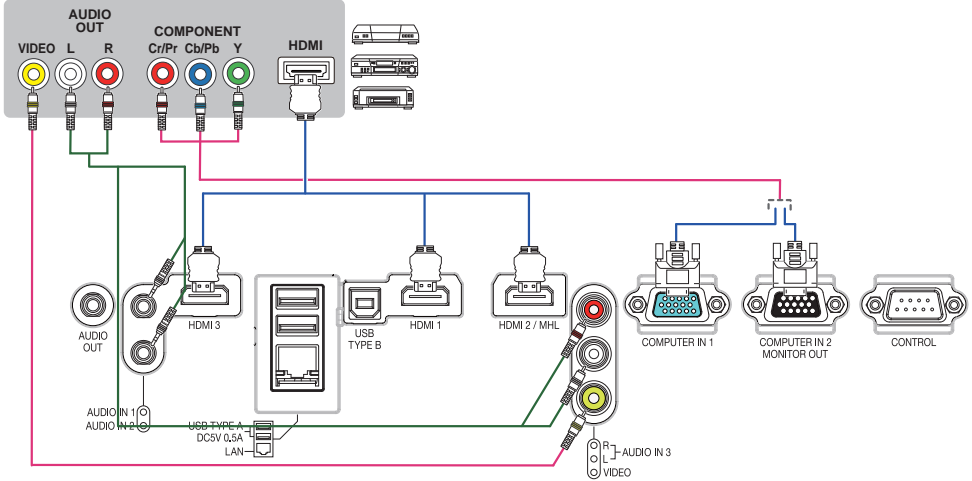
(1920 x 1200) (±10%)

③ Screen size (diagonal)		16 : 10 screen								16 : 9 screen								4 : 3 screen													
		④ Projection distance				① Screen height		② Screen height		④ Projection distance				① Screen height		② Screen height		④ Projection distance				① Screen height		② Screen height							
		min.		max.		cm		inch		min.		max.		cm		inch		min.		max.		cm		inch		min.		max.		cm	
type (inch)	m	m	inch	m	inch	cm	inch	cm	inch	m	inch	m	inch	cm	inch	cm	inch	m	inch	m	inch	cm	inch	cm	inch	m	inch	m	inch	cm	inch
30	0.8	0.7	26	1.2	47	35	14	5	2	0.7	27	1.2	48	34	13	3	1	0.8	31	1.4	54	40	16	6	2						
40	1.0	0.9	37	1.6	65	47	18	7	3	1.0	39	1.7	67	45	18	4	2	1.1	43	1.9	74	53	21	8	3						
50	1.3	1.2	48	2.1	83	59	23	9	3	1.3	50	2.2	85	57	22	6	2	1.4	56	2.4	94	66	26	10	4						
60	1.5	1.5	60	2.6	101	70	28	10	4	1.6	61	2.6	104	68	27	7	3	1.7	68	2.9	115	80	31	12	5						
70	1.8	1.8	71	3.0	119	82	32	12	5	1.9	73	3.1	122	79	31	8	3	2.1	81	3.4	135	93	37	14	5						
80	2.0	2.1	82	3.5	137	94	37	14	5	2.1	84	3.6	141	91	36	9	3	2.4	94	4.0	156	106	42	16	6						
90	2.3	2.4	93	3.9	155	105	42	16	6	2.4	96	4.0	159	102	40	10	4	2.7	106	4.5	176	119	47	18	7						
100	2.5	2.6	104	4.4	173	117	46	17	7	2.7	107	4.5	178	114	45	11	4	3.0	119	5.0	196	133	52	20	8						
120	3.0	3.2	127	5.3	209	141	55	21	8	3.3	130	5.5	215	136	54	13	5	3.7	144	6.0	237	159	63	24	9						
150	3.8	4.1	160	6.7	263	176	69	26	10	4.2	165	6.9	270	170	67	17	7	4.6	182	7.6	298	199	78	30	12						
200	5.1	5.5	216	9.0	353	234	92	35	14	5.6	222	9.2	363	227	89	22	9	6.2	245	10.2	400	265	104	40	16						
250	6.4	6.9	272	11.3	443	293	115	44	17	7.1	280	11.6	456	284	112	28	11	7.8	309	12.8	502	332	131	49	19						
300	7.6	8.3	328	13.5	533	352	138	52	21	8.6	337	13.9	548	341	134	33	13	9.4	372	15.4	604	398	157	59	23						



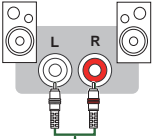
F-5

VCR/DVD/Blu-ray Disc™ player

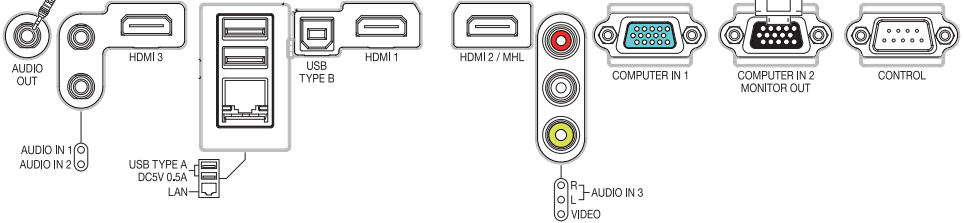
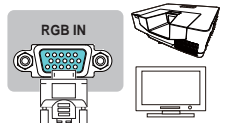


F-6

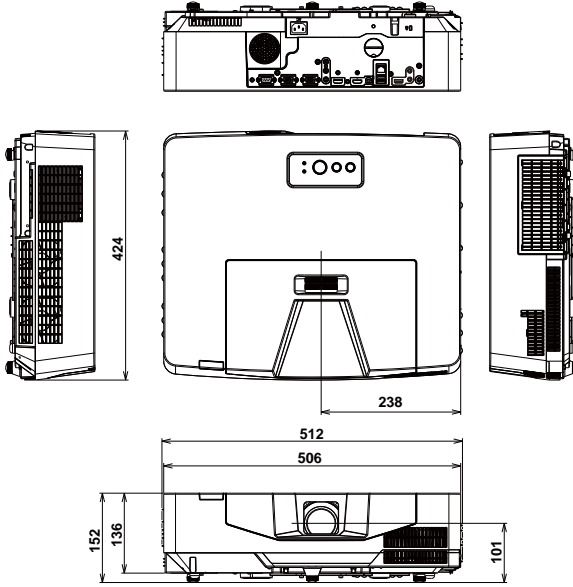
Speakers
(with an amplifier)



Monitor

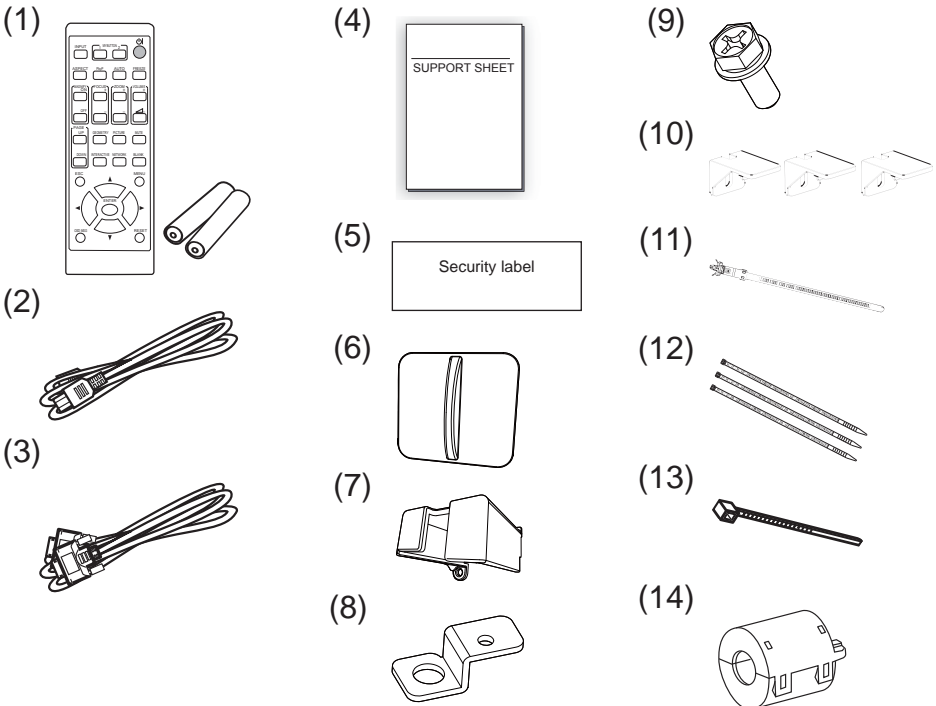


F-7














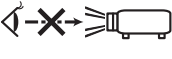




[unit: mm]

F-8



Supplement

	ENGLISH	FRANÇAIS	DEUTSCH	ESPAÑOL
	Descriptions of the symbols displayed on the projector	Les descriptions de ces symboles sont affichées sur le projecteur	Beschreibungen der am Projektor angezeigten Symbole	Descripciones de los símbolos mostrados en el proyector
	Alternating Current	Courant Alternatif	Wechselstrom	Corriente alterna
	Standby (Power)	Veille (Alimentation)	Bereitschaft (Stromversorgung)	En espera (Alimentación)
	On (Power)	Marche (Alimentation)	Ein (Stromversorgung)	Encendido (Alimentación)
	WARNING / CAUTION	AVERTISSEMENT / ATTENTION	WARNUNG / VORSICHT	ADVERTENCIA / PRECAUCIÓN
	HIGH TEMPERATURE	HAUTE TEMPERATURE	HOHE TEMPERATUR	ALTA TEMPERATURA
	HIGH VOLTAGE	HAUTE TENSION	HOCHSPANNUNG	ALTO VOLTAJE
	HIGH PRESSURE	HAUTE PRESSION	HOCHDRUCK	ALTA PRESIÓN
	DO NOT SHADE THE LIGHT	NE PAS COUVRIR LA LUMIÈRE	LICHTWEG NICHT BLOCKIEREN	NO TAPE LA LUZ
	PROJECTOR NOT FOR CONSUMER USE	PROJECTEUR DESTINÉ À UN USAGE PROFESSIONNEL	PROJEKTOR NICHT FÜR DEN PRIVATEN GEBRAUCH	PROYECTOR NO DESTINADO A USO POR PARTE DE CONSUMIDORES
	OPTICAL RADIATION WARNING	ATTENTION RAYONNEMENT LASER	WARNUNG! OPTISCHE STRAHLUNG	ADVERTENCIA SOBRE LA RADIACIÓN ÓPTICA
	VIDEO INPUT SWITCHING	COMMUTATION DE L'ENTRÉE VIDÉO	VIDEO-EINGANGSUMSCHALTUNG	CONMUTACIÓN DE LA ENTRADA DE VÍDEO
	Kensington	Kensington	Kensington	Kensington
	RG2 caution	ATTENTION: RG2	Achtung! RG2	Precaución sobre RG2
	DO NOT LOOK INTO THE BEAM	NE PAS REGARDER DANS LE FAISCEAU	NICHT IN DEN STRAHL BLICKEN	NO MIRE AL HAZ
	Laser Warning	Avertissement laser	Laserwarnung	Advertencia láser

	ITALIANO	NORSK	NEDERLANDS	PORTUGUÊS
	Descrizione dei simboli mostrati sul proiettore	Beskrivelser av symbolene som vises på projektoren	Beschrijvingen van de symbolen op de projector	Descrições dos símbolos apresentados no projector
	Corrente Alternata	Vekselstrøm	Wisselstroom	Corrente alternada
	Standby (Alimentazione)	Standby (Strøm)	Uit (standby) (Aan/uit)	Em espera (Alimentação)
	Accesa (Alimentazione)	På (Strøm)	Aan (Aan/uit)	Ligado (Alimentação)
	AVVERTENZA / CAUTELA	ADVARSEL / FORSIKTIG	WAARSCHUWING / VOORZICHTIG	AVISO / PRECAUÇÃO
	ALTA TEMPERATURA	HØY TEMPERATUR	HOGE TEMPERATUUR	TEMPERATURA ALTA
	ALTA TENSIONE	HØY SPENNING	HOOG VOLTAGE	VOLTAGEM ALTA
	ALTA PRESSIONE	HØYT TRYKK	HOGE DRUK	PRESSÃO ALTA
	NON BLOCCARE LA LUCE	IKKE SKYGG TIL LYSET	SCHERM HET LICHT NIET AF	NÃO BLOQUEIE A LUZ
	PROIETTORE NON PER USO DOMESTICO	PROJEKTOREN ER IKKE TIL BRUK FOR FORBRUKERE	PROJECTOR NIET VOOR GEBRUIK DOOR CONSUMENT	PROJECTOR NÃO DESTINADO AO USO DE CONSUMIDORES
	AVVERTENZA RADIAZIONI OTTICHE	ADVARSEL FOR OPTISK STRÅLING	WAARSCHUWING OPTISCHE STRALEN	AVISO DE RADIAÇÃO ÓPTICA
	COMMUTAZIONE INGRESSO VIDEO	BYTTE AV VIDEO INNGANG	VIDEO INGANG SCHAKELLEN	MUDANÇA DE ENTRADA DE VÍDEO
	Kensington	Kensington	Kensington	Kensington
	RG2 attenzione	RG2 forsiktighet	RG2 voorzichtig	Atenção RG2
	NON GUARDARE DIRETTAMENTE IL FASCIO DI LUCE	IKKE SE DIREKTE PÅ LYSSTRÅLEN	KIJK NIET IN DE STRAAL	NÃO OLHE PARA O FEIXE
	Avvertenza emissione laser	Advarsel laser	Laserwaarschuwing	Aviso de Radiação Laser