



Paper Positioning Template DCS1_2012_A

Check out our other products online at
www.copernicused.com

For assistance, please contact us:

1-800-267-8494

Email info@copernicused.com

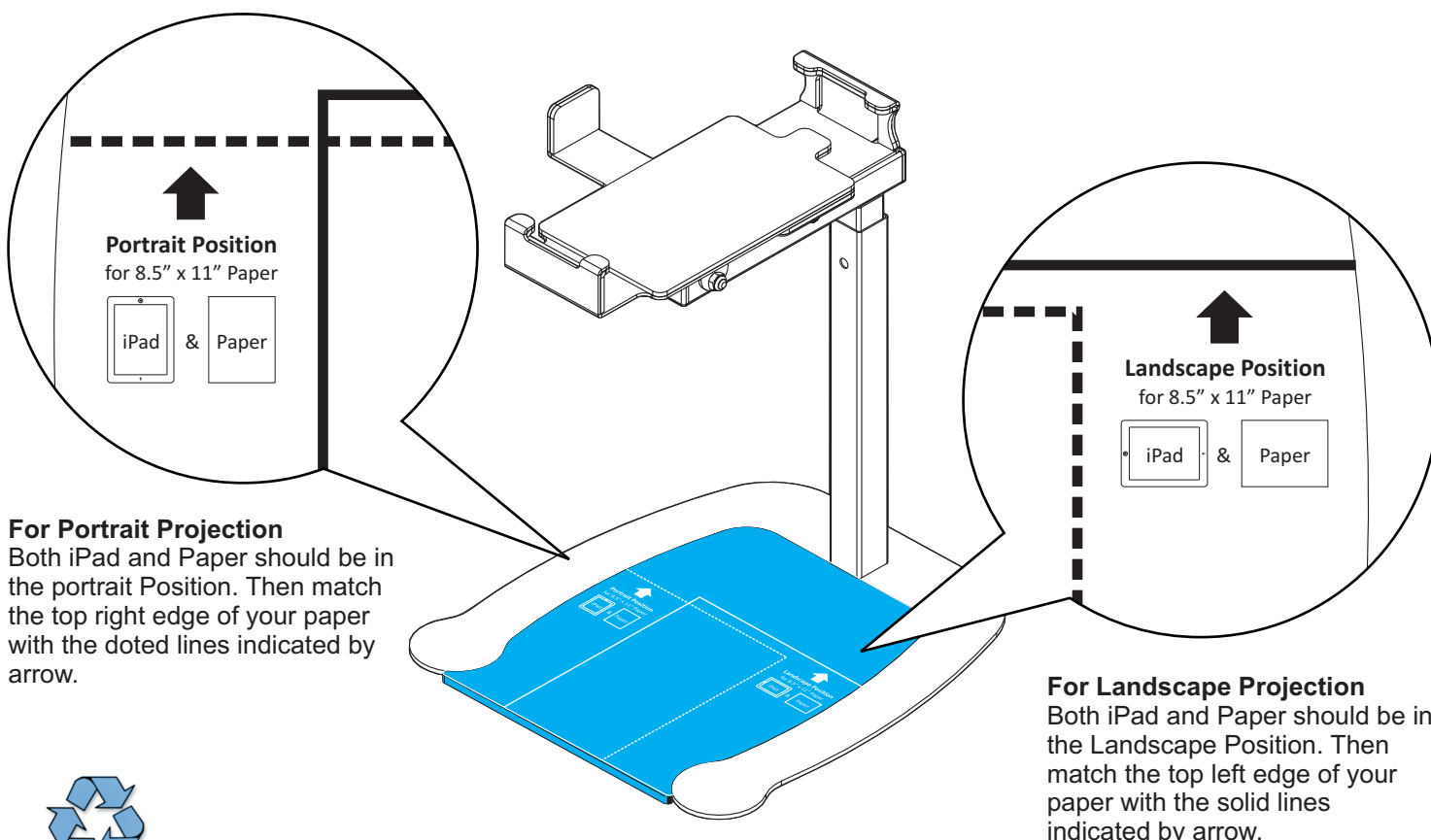
Have your packing slip ready for reference

Description

The Paper Positioning Template helps position an 8.5" x 11" paper in landscape or portrait orientation when Dewey is in Document Camera mode. By using the template you are able to centre your paper in any height position without using the camera. The template fits in between the open space of the Dewey base.

Steps

1. Print page 2 of this document on an 8.5" x 11" paper or cardstock as an "Actual Size" DO NOT select the "Shrink To Fit" option.
2. Once printed, follow the grey outline to cut the inside shape of the base out.
3. When finished cutting you should be able to fit the template in between the open space of the Dewey base.
4. When positioning your paper and iPad in portrait or landscape orientation follow the instruction on the template.



For Portrait Projection
Both iPad and Paper should be in the portrait Position. Then match the top right edge of your paper with the dotted lines indicated by arrow.

For Landscape Projection
Both iPad and Paper should be in the Landscape Position. Then match the top left edge of your paper with the solid lines indicated by arrow.





Dewey's

Positioning Template



Portrait Position
for 8.5" x 11" Paper



Landscape Position
for 8.5" x 11" Paper

