

DVP510 Quick Start Guide

DUKANE

www.dukaneav.com

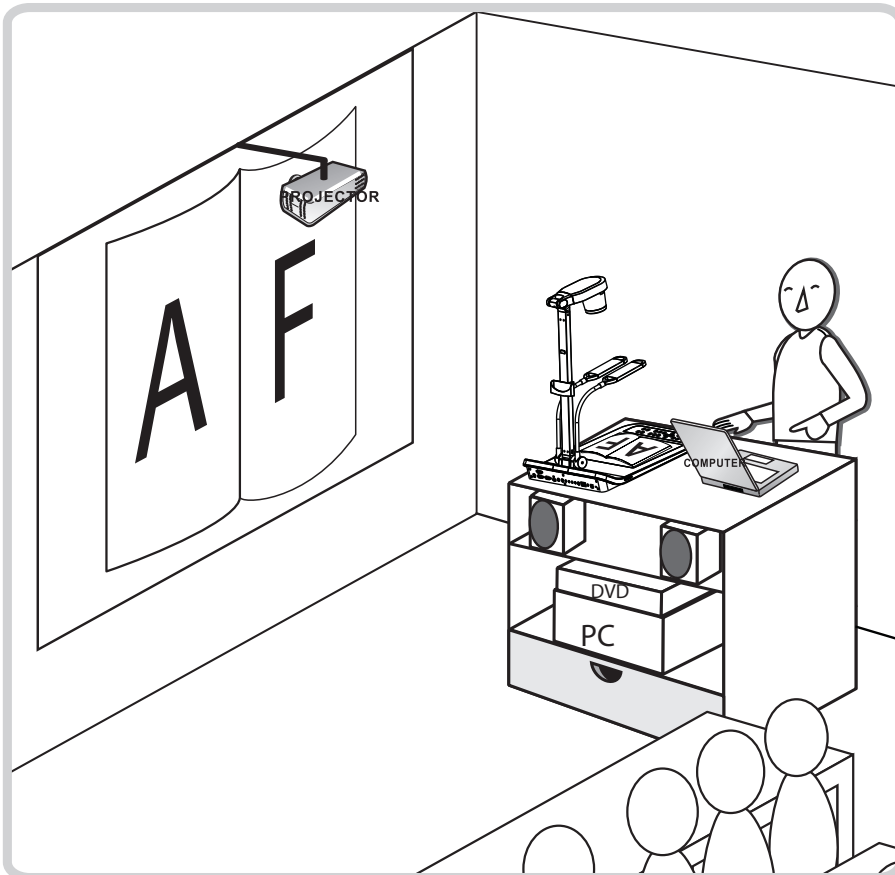
⚠ Important

* Please activate your warranty at www.dukaneav.com

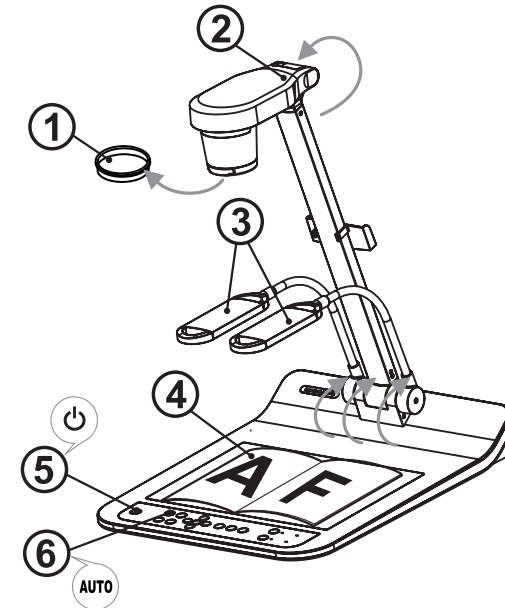
* Please visit our website www.dukaneav.com to download latest version of Software, Multilingual User Manual and Quick Start Guide.



User Condition

* For the installation instruction, please refer to the [2. Installation & Connectoin](#) on the rear side.



1. Getting Started



- ① Remove the lens cap.
- ② Pull up the camera and the camera arm. The camera should aim at the center of the presenter.
- ③ Pull up the lamp arm and adjust it to appropriate position.
- ④ Place an object to be displayed under the camera.
- ⑤ Turn the power on. 
- ⑥ Press the [AUTO TUNE]  button to optimize the image. You are ready to teach / present.

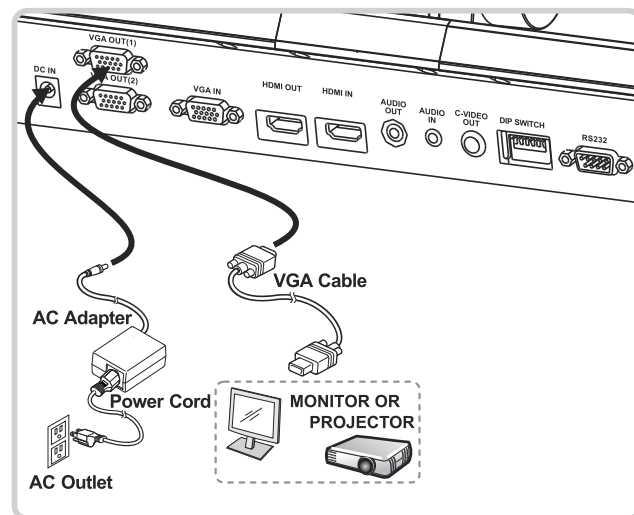
* You can adjust the camera head slightly to point at the center of the capture area, when at the end of the movement range.

2. Installation & Connection

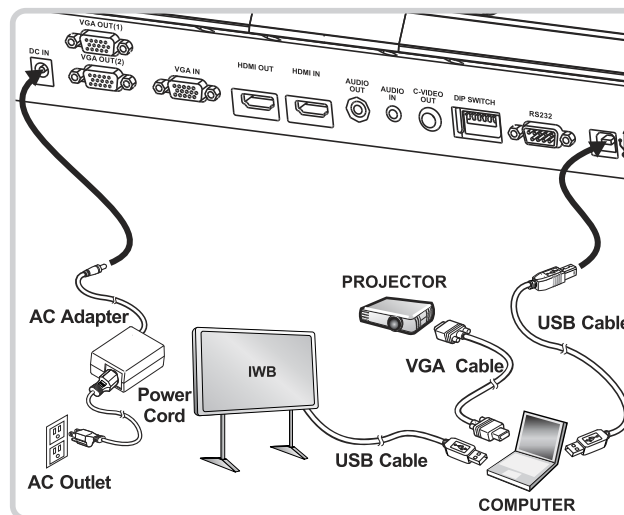
DUKANE

www.dukaneav.com

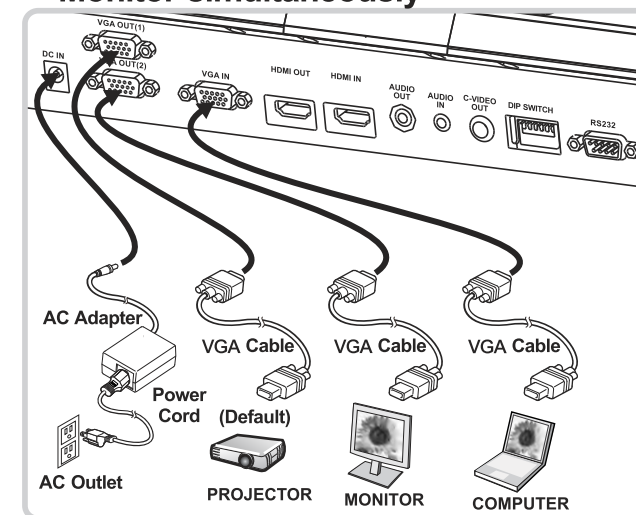
▼ Connect to a Projector or Monitor



▼ Connect to a Computer and Use Dukanes' Software or Connect to an Interactive Whiteboard (IWB).

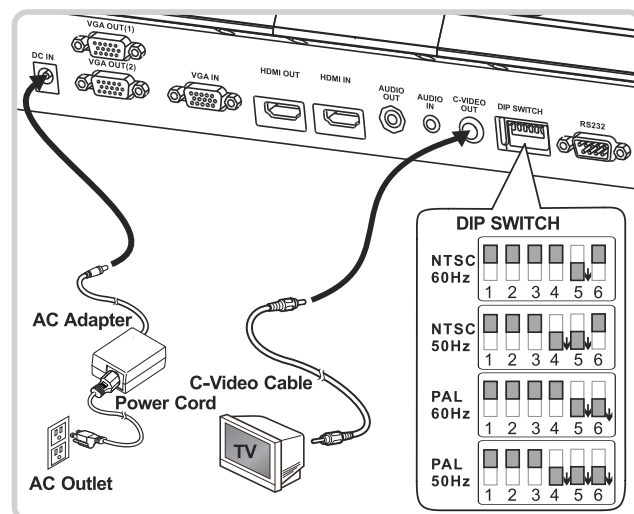


▼ Connect a Projector, Computer and Monitor simultaneously

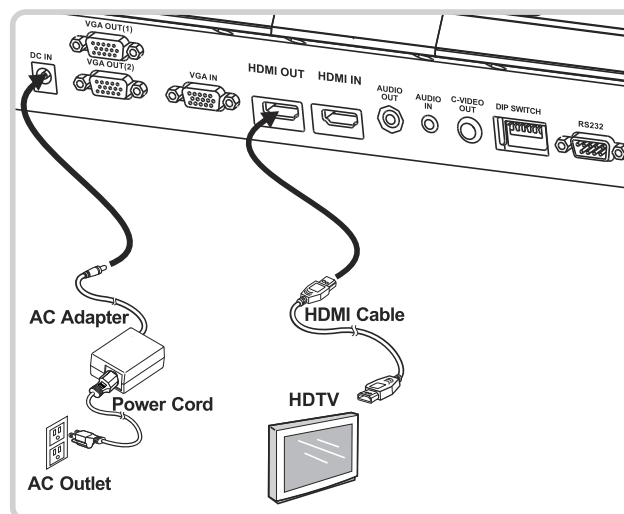


* Driver and software can be downloaded from Dukanes website.

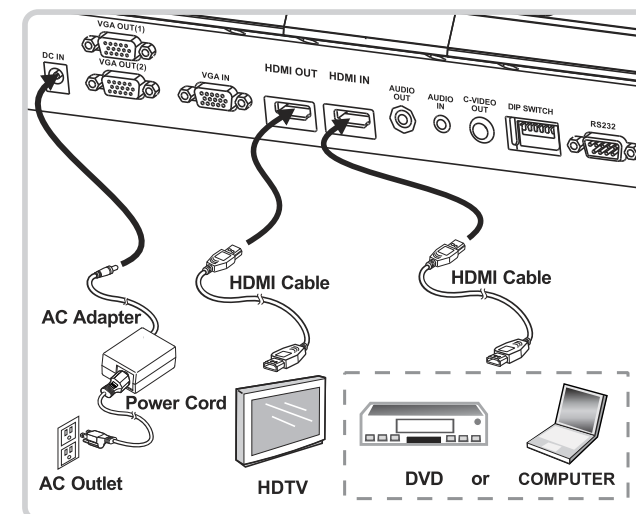
▼ Connect to a TV



▼ Connect to an HDTV



▼ Connect to a Computer or DVD



* NTSC: USA, CANADA, MEXICO, PANAMA, CHILE, JAPAN, TAIWAN, KOREA AND PHILIPPINES.

* PAL: Country / region not listed above.

* Please confirm the local voltage and frequency, for example the default 60Hz applicable in the US, Taiwan

* After the unit is re-started, new DIP switch configuration is effective. Once C-Video is on, VGA is not supported.